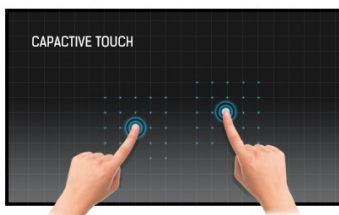




27" 10 point multi-touch monitor with Edge to Edge glass and webcam

With 1920x1080 Full HD resolution and Projective Capacitive 10 point touch technology, the ProLite T2735MSC delivers seamless and accurate touch response. Featuring AMVA+ LED-backlit LCD screen technology, it offers exceptional colour performance and wide viewing angles, making it an excellent choice for a vast array of demanding interactive applications. Users can benefit from its hinged stand allowing the monitor to lay down completely flat for use as a giant tablet. The T2735MSC comes equipped with several video inputs and a USB 3.0 HUB as well as stereo speakers delivering good quality sound. An ideal screen for Interactive Digital Signage, InStore Retail, Gaming and Interactive Presentations purposes.



### TOUCH TECHNOLOGY - CAPACITIVE

This technology uses a sensor-grid of micro-fine wires integrated into the glass that covers the screen. Touch is detected because electrical characteristics of the sensor grid change when human finger is placed on the glass. Thanks to the glass overlay this technology is highly durable, and the touch function remains unaffected even if the glass is scratched. It offers perfect picture performance and will work with human finger (gloved or not) and magnetic ball.



### AMVA+

AMVA+ Panel technology offers 24 bit 'True Colour' performance and amazing viewing angles.

## 1. DISPLAY CHARACTERISTICS

|                     |  |
|---------------------|--|
| DIAGONAL            | 27"; 68.6cm  |
| ASPECT RATIO        | 16 : 9   |
| PANEL               | AMVA+ LED-Backlit  |
| NATIVE RESOLUTION   | Full HD 1080p, 1920 x 1080 ( 2.1 megapixel)  |
| BRIGHTNESS          | 300 cd/m <sup>2</sup> typical  |
| BRIGHTNESS          | 255 cd/m <sup>2</sup> with touch panel   |
| STATIC CONTRAST     | 3 000 : 1 typical  |
| ADVANCED CONTRAST   | 12 000 000 : 1 ACR   |
| RESPONSE TIME       | 5 ms   |
| VIEWING ZONE        | horizontal/vertical: 178° / 178°; right/left: 89° / 89°; up/down: 89° / 89°  |
| DISPLAY COLOUR      | 16.7 million   |
| BLUE LIGHT REDUCER  | yes  |
| TOUCHTECHNOLOGY     | projective capacitive, multi touch (10 compatible touch points - HID, only with supported OS), activated by finger |
| GLASS HARDNESS      | 7H minimum   |
| LIGHT TRANSMITTANCE | 85%  |
| DISPLAY AREA H X W  | 336.15 x 597.6 mm; 13.2" x 23.5"   |
| PIXEL PITCH H X V   | 0.311 x 0.311 mm   |
| HORIZONTAL SYNC     | 24 - 80 KHz  |
| VERTICAL SYNC       | 55 - 75 Hz   |
| SYNCHRONIZATION     | Separate Sync  |

## 2. INTERFACES / CONNECTORS / CONTROLLERS

|                         |                                       |
|-------------------------|---------------------------------------|
| ANALOG INPUT CONNECTOR  | VGA                                   |
| DIGITAL INPUT CONNECTOR | DVI-D, HDMI (MHL)                     |
| HEADPHONE CONNECTOR     | Yes                                   |
| USB HUB                 | UP 1 x USB 3.0 / DOWN 2 x USB 3.0     |
| OTHER                   | USB (for touch connectivity), USB 3.0 |

## 3. SPECIAL FEATURES

|               |   |
|---------------|---|
| PLUG & PLAY   | VESA DDC2B™   |
| CONTROLS      | On-Screen-Display in 9 languages (EN, FR, DE, NL, PL, RU, JP, Chinese - traditional and simplified) and 5 front controls (Power, Select/ Input select, Scroll up/ Audio Adjust, Scroll down/ i-Style Colour, Menu)  |
| USER CONTROLS | auto image adjust, picture adjust (contrast, brightness, ACR, ECO, OD), input select, auto adjust (volume, mute, HDMI audio), color adjust, information, manual image adjust (H./V. position, clock, phase, sharpness, video mode adjust, blue light reducer), setup menu (manguage select, OSD position, OSD time out, OSD background, opening logo, LED), memory recall |

|                   |                                  |
|-------------------|----------------------------------|
| SPEAKERS          | 2 x 2 W (Stereo)                 |
| ANTI-THEFT-DEVICE | Kensington-lock™ prepared        |
| SAFETY            | CE, TÜV-Bauart, VCCI-B, PSE, CU  |
| TILT ANGLE        | 15-70° up; ° down                |
| VESA MOUNTING     | 100 x 100 mm                     |
| COLOUR            | Black                            |
| OTHER             | integrated webcam and microphone |

## 4. ACCESORIES

|                      |  |
|----------------------|--|
| DRIVER               | multi-touch: Windows7/8 (HID compliant), single-touch: Vista, Linux                      |
| INCLUDED ACCESSORIES | power cable, DVI-D signal cable, Audio cable, USB cable, quick start guide, safety guide |

## 5. POWER MANAGEMENT

|                   |   |
|-------------------|---|
| POWER SUPPLY      | AC 100 - 240 V, 50 / 60 Hz                        |
| POWER SUPPLY UNIT | internal  |
| POWER USAGE       | 36 W typical; max. 0.5 W in Power management mode |
| POWER MANAGEMENT  | VESA DPMS   |

## 6. EU ENERGY EFFICIENCY LABEL

|                         |   |
|-------------------------|---|
| ENERGY EFFICIENCY CLASS | B |
|-------------------------|---|

*This is information under Regulation (EU) No 1062/2010.*

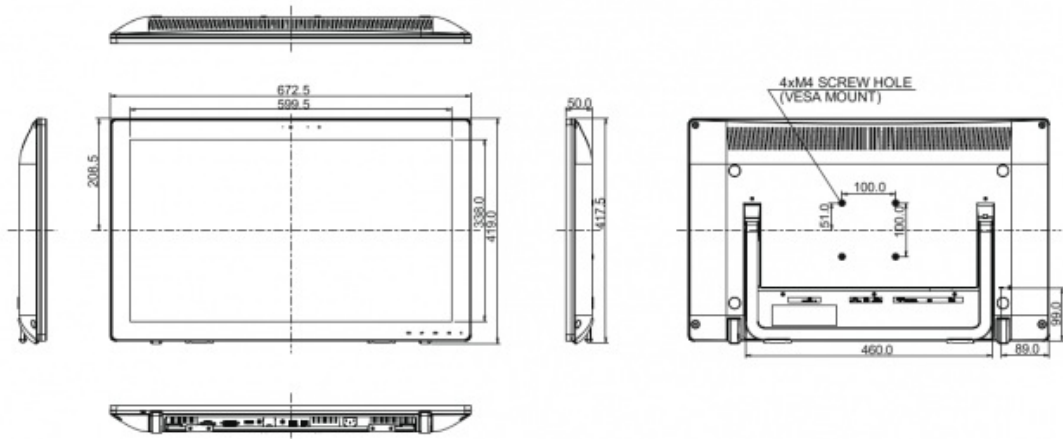
*\*Based on the power consumption of the television operating 4 hours per day for 365 days. The actual energy consumption will depend on how the television is used.*

## 7. EPEAT SILVER

|       |  |
|-------|--|
| EPEAT | EPEAT is a comprehensive environmental rating that helps identify greener computers and other electronic equipment. The Silver certification means the monitor meets all required criteria plus at least 50% of the optional requirements. EPEAT Silver is valid in countries where iiyama registers the product. Please visit <a href="http://www.epeat.net">www.epeat.net</a> for the registration status in your country. |
|-------|--|

## 8. DIMENSIONS / WEIGHT

|                      |                     |
|----------------------|---------------------|
| DIMENSIONS W X H X D | 672.5 x 419 x 50 mm |
| WEIGHT               | 8.2 kg              |



All trademarks and registered trademarks acknowledged. E & O E. Specification subject to change without notice. All LCD's comply with ISO-9241-307:2008 in connection with pixel defects.

© IIYAMA CORPORATION ( ). ALL RIGHTS RESERVED.